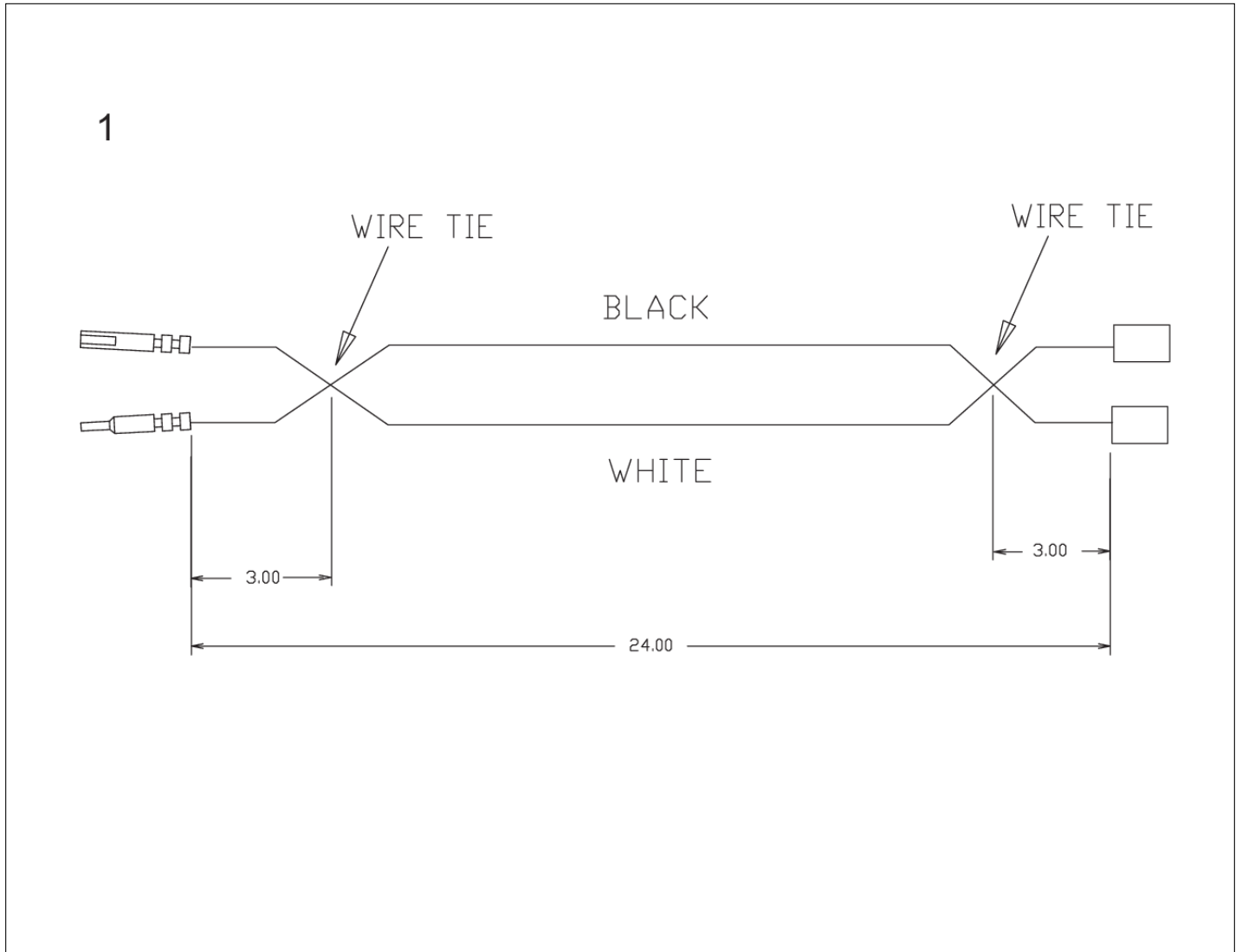


**VGQT240AFTER07-09-07**

000837-000 .....	1
BURNER BOX INTERIOR .....	2
CONTROL AREA .....	3
DRIP TRAY .....	4
IGNITER WIRE .....	5
SURFACE COOKING AREA .....	6
Appendix A:Pages Index .....	A
Appendix B:Parts Index .....	B

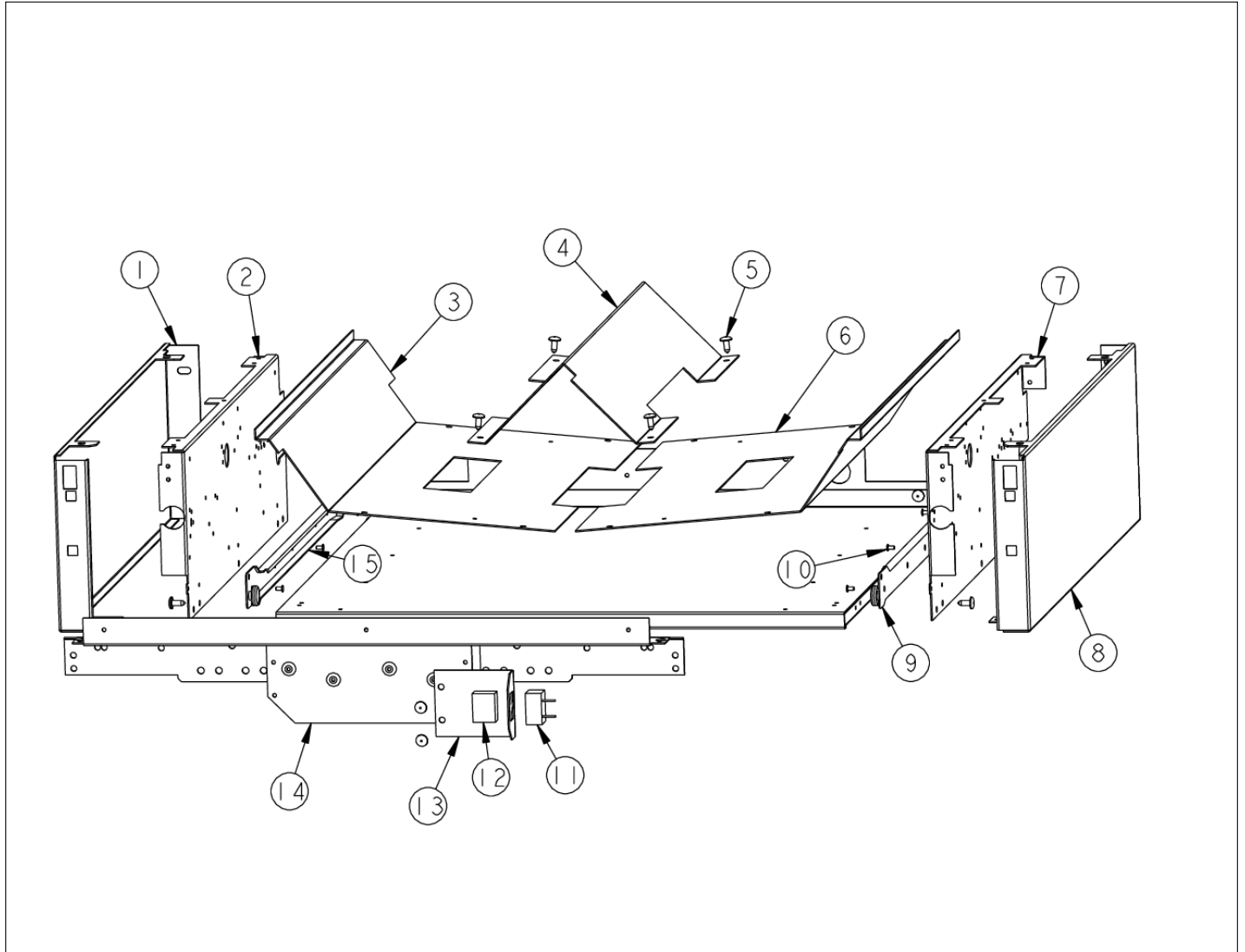






Item	Part No.	Name	Qty	Uom	NOTES
1	000837-000	VGRT SUPPLY CORD JUMPER	1	EA	Not available online / Call for pricing and availability
Not Shown	NOTE	(BEFORE 10/4/11)		EA	
1	027347-000	SUPPLY CORD JUMPER	1	EA	
Not Shown	NOTE	(ON OR AFTER 10/4/11)		EA	

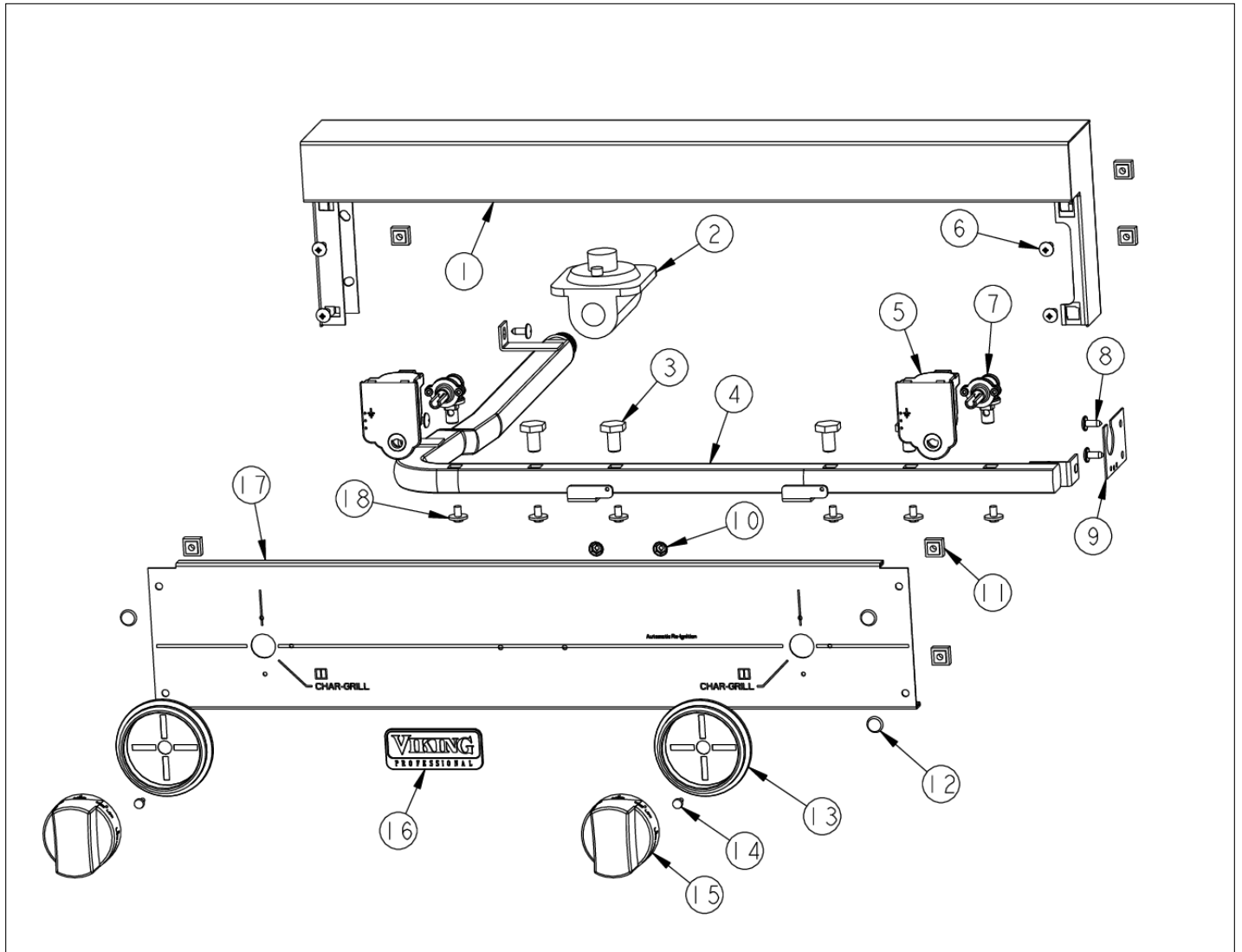
BURNER BOX INTERIOR





Item	Part No.	Name	Qty	Uom	NOTES
1	B2001920	SIDE PANEL-LH (VGRT)	1	EA	
2	A2001912	BURNER BOX SIDE LH	1	EA	
3	A20010491	VGQT BURNER BOX LH	1	EA	
4	B2008483	24" GRILL DRIP COVER	1	EA	
5	PD020002	10 X 1/2 PH.TR.HD.SMS.	1	EA	
6	A20010492	VGQT BURNER BOX RH	1	EA	
7	A2001911	BURNER BOX SIDE RH	1	EA	
8	B2001919	SIDE PANEL-RH (VGRT)	1	EA	
9	PK000008	Drip Tray Guide - RH	1	EA	NO LONGER AVAILABLE
10	PC040010	POP RIVET (.063/GR -.125) GAMD42-A	1	EA	
11	000573-000	POWER JUMPER WIRE	1	EA	
12	PE070071	Disconnect Block - Female	1	EA	
13	A20010487	SERVICE DISCONNECT BRACKET VGQT240	1	EA	NO LONGER AVAILABLE, Not available online / Call for pricing and availability
14	A2009542	FRONT SUPPORT (VGIC245Q)	1	EA	NO LONGER AVAILABLE, Not available online / Call for pricing and availability
15	PK000007	DRIP TRAY GUIDE - LH (VGRT)	1	EA	NO LONGER AVAILABLE

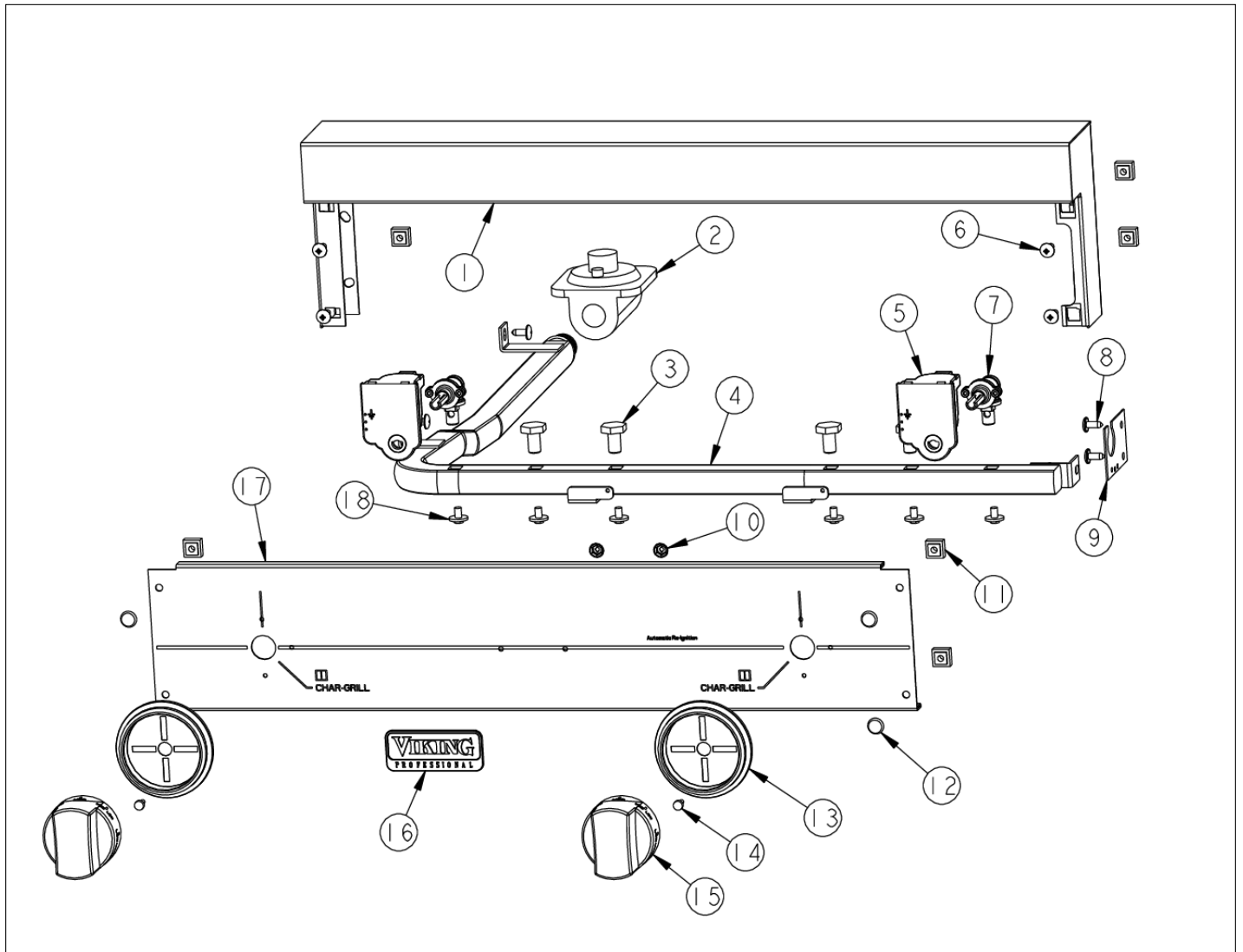
CONTROL AREA



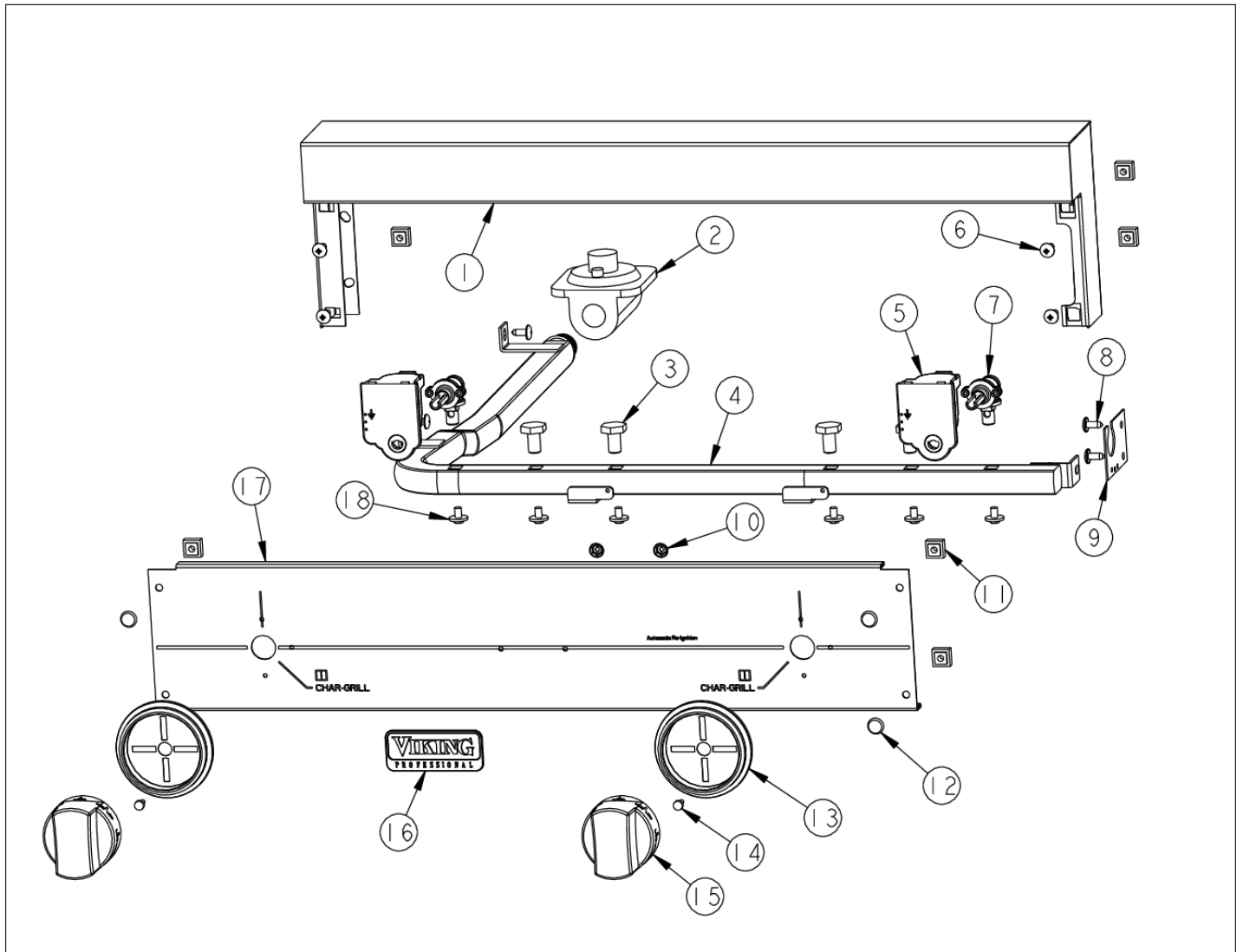




Item	Part No.	Name	Qty	Uom	NOTES
1	PK010153	240 WOK LANDING LEDGE ASSY	1	EA	Not available online / Call for pricing and availability
2	PA070003	PRESSURE REGULATOR	1	EA	
3	PA010012	ROPER PLUG	1	EA	
4	PA050112	UNIVERSAL 24" MANIFOLD	1	EA	
5	PA020058	IRIS SINGLE SPARK MODULE	1	EA	
6	PD010003	10-24 X 1/2 PH.TR.HD.SERD.M.S.	1	EA	
7	003536-000	PA010159 VALVE AND BOLT KIT	1	EA	
8	PD020002	10 X 1/2 PH.TR.HD.SMS.	1	EA	
9	A1001138	MANIFOLD BRKT	1	EA	NO LONGER AVAILABLE, Not available online / Call for pricing and availability
10	PD030006	CAPPED WASHER PAL NUT	1	EA	
11	PD030005	SELF RETAINING NUT	1	EA	
12	PD020033	SRW-#10-24X1/2"T(23)PH.WFR HD (NKL)	1	EA	
13	050172-000	BEZEL, KNOB	1	EA	
NI	PB010209	Bezel - BR	1	EA	
14	PD020067	' #6 X 3/8" PAN PHIL. TEK *SS*	1	EA	
15	PA010122	VGRC/IC/RT GRILL KNOB (BK)	1	EA	
NI	PA010123	VGRC/IC/RT GRILL KNOB (WH)	1	EA	
16	PE010142	3" VIKING LOGO BLACK/CHROME	1	EA	
NI	PE010143	3" LOGO BK/BR	1	EA	
NI	PE010144	3" LOGO *WH*CHROME	1	EA	NO LONGER AVAILABLE
NI	PE010145	LOGO - WH / BR	1	EA	
17	B9209532	CONTROL PANEL VGQT240	1	EA	NO LONGER AVAILABLE
NI	C9209532AL	CONTROL PANEL VGQT240 *AL* SILK SCR	1	EA	NO LONGER AVAILABLE, Not available online / Call for pricing and availability



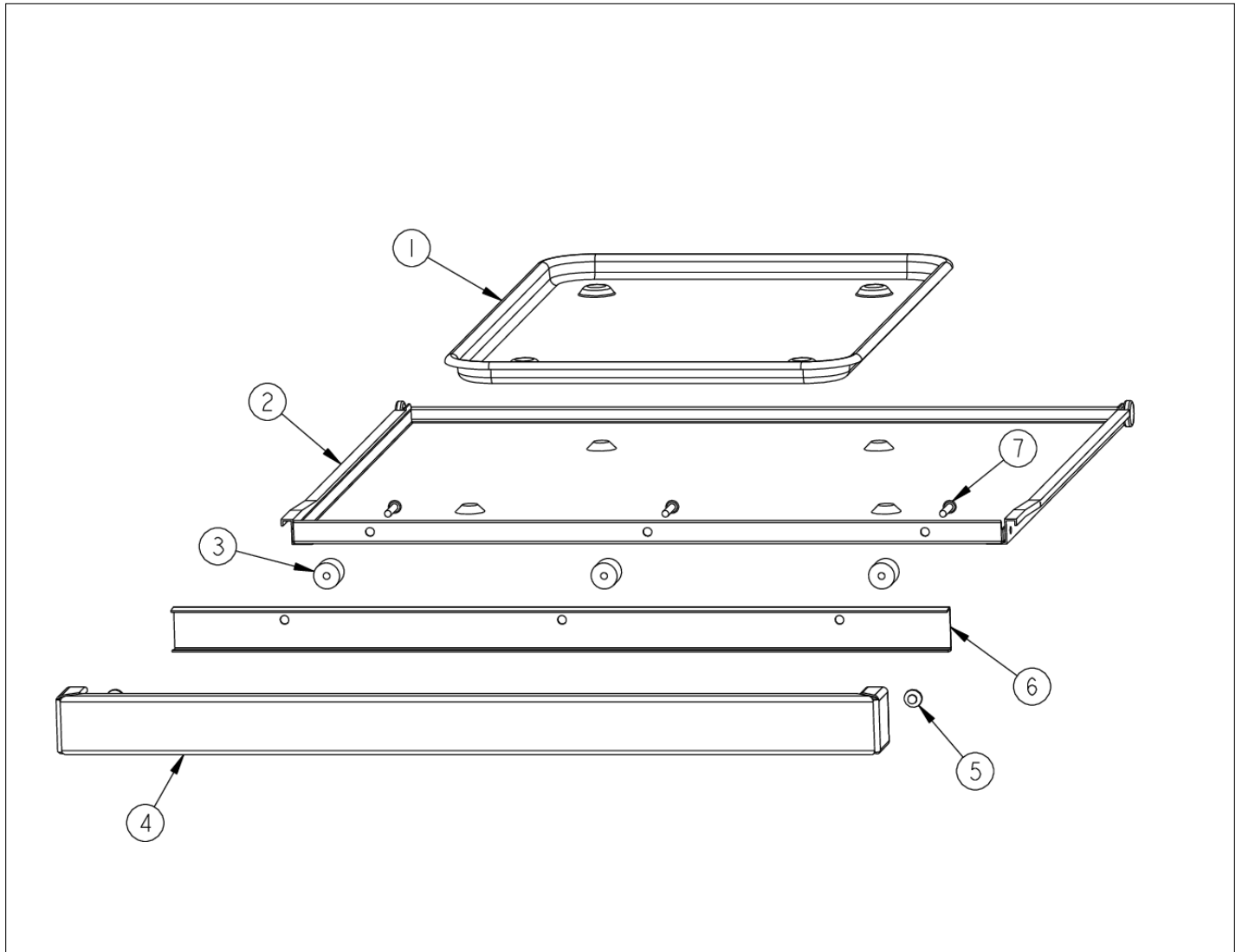
Item	Part No.	Name	Qty	Uom	NOTES
NI	C9209532BK	CONTROL PANEL VGQT240 *BK* SILK SCR.	1	EA	NO LONGER AVAILABLE, Not available online / Call for pricing and availability
NI	C9209532BT	CONTROL PANEL VGQT240 *BT* SILK SCR	1	EA	NO LONGER AVAILABLE, Not available online / Call for pricing and availability
NI	C9209532BU	CONTROL PANEL VGQT240 *BU* SILK SCR	1	EA	NO LONGER AVAILABLE, Not available online / Call for pricing and availability
NI	C9209532CB	CONTROL PANEL VGQT240 *CB* SILK SCR	1	EA	NO LONGER AVAILABLE, Not available online / Call for pricing and availability
NI	C9209532EP	CONTROL PANEL VGQT240 *EP* SILK SCR	1	EA	NO LONGER AVAILABLE, Not available online / Call for pricing and availability
NI	C9209532FG	CONTROL PANEL VGQT240 *FG* SILK SCR	1	EA	NO LONGER AVAILABLE, Not available online / Call for pricing and availability
NI	C9209532GG	CONTROL PANEL VGQT240 *GG* SILK SCR	1	EA	NO LONGER AVAILABLE, Not available online / Call for pricing and availability
NI	C9209532LE	CONTROL PANEL VGQT240 *LE* SILK SCR	1	EA	NO LONGER AVAILABLE, Not available online / Call for pricing and availability
NI	C9209532MJ	CONTROL PANEL VGQT240 *MJ* SILK SCR	1	EA	NO LONGER AVAILABLE, Not available online / Call for pricing and availability
NI	C9209532SG	CONTROL PANEL VGQT240 *SG* SILK SCR	1	EA	NO LONGER AVAILABLE, Not available online / Call for pricing and availability
NI	C9209532VB	CONTROL PANEL VGQT240 *VB* SILK SCR	1	EA	NO LONGER AVAILABLE, Not available online / Call for pricing and availability





Item	Part No.	Name	Qty	Uom	NOTES
NI	C9209532WH	CONTROL PANEL, VGQT240 *WH* SILK SCR.	1	EA	NO LONGER AVAILABLE, Not available online / Call for pricing and availability
18	PD010012	1/4 x 3/8 VALVE BOLT	1	EA	

DRIP TRAY



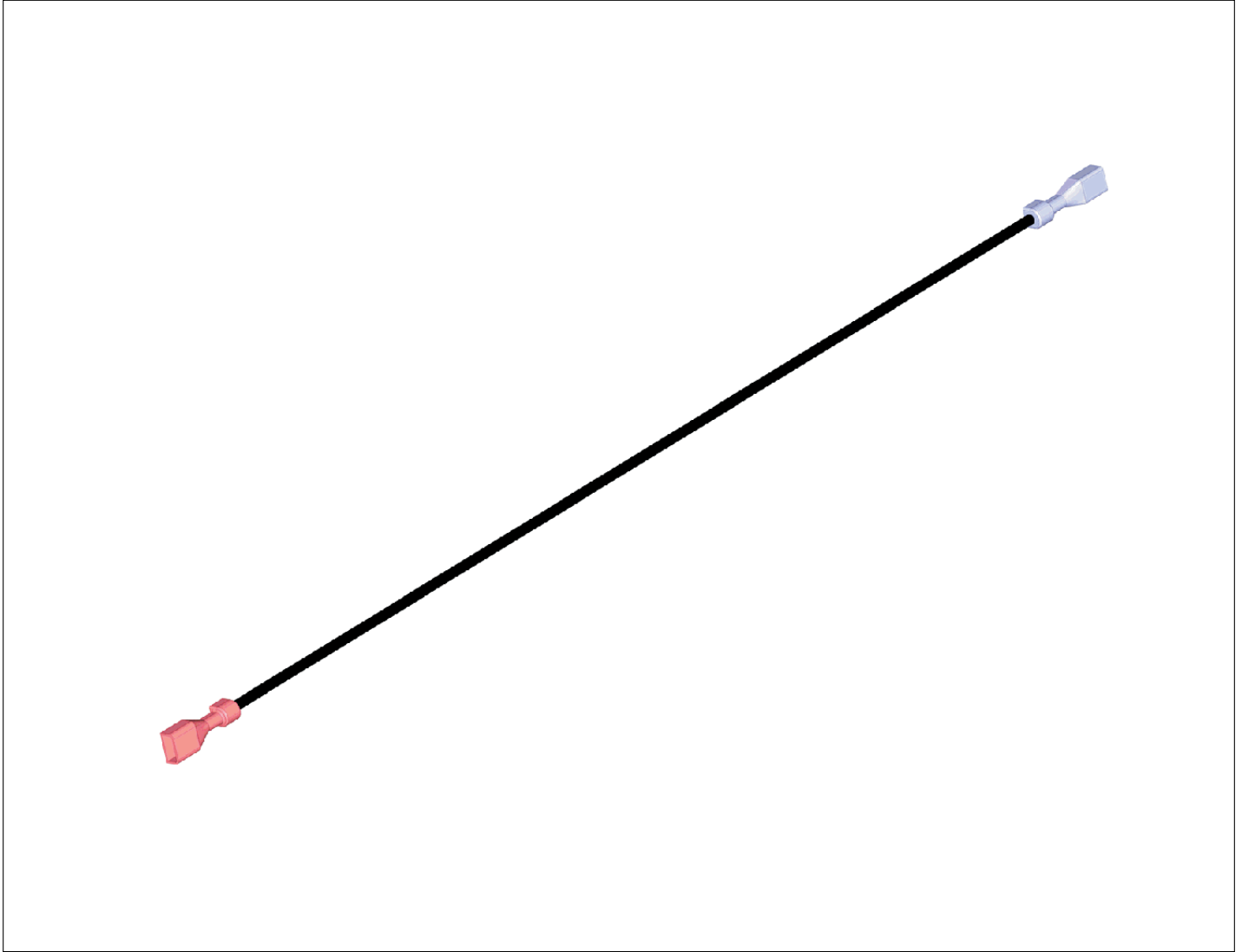


Item	Part No.	Name	Qty	Uom	NOTES
1	J2101749	GREASE PAN	1	EA	
2	G30012979	24" DRIP TRAY ASSY, NLA	1	EA	
3	PD040028	BUSHING(.194ID/.750OD/.750L ONG)	1	EA	
4	G3009528	DRIP TRAY HANDLE ASSY 24"	1	EA	NO LONGER AVAILABLE
NI	G9309533PVD	DRIP TRAY HANDLE ASSY. 24" BRASS	1	EA	
5	PD040004	GROMMET BUMPER	1	EA	
6	B2009527	VGIC245G DRIP TRAY HANDLE BACK	1	EA	NO LONGER AVAILABLE, Not available online / Call for pricing and availability
7	PD020079	#10 X 1 1/4 PH. PAN HD. T(A) NYLOK	1	EA	



IGNITER WIRE

VGQT240AFTER07-09-07

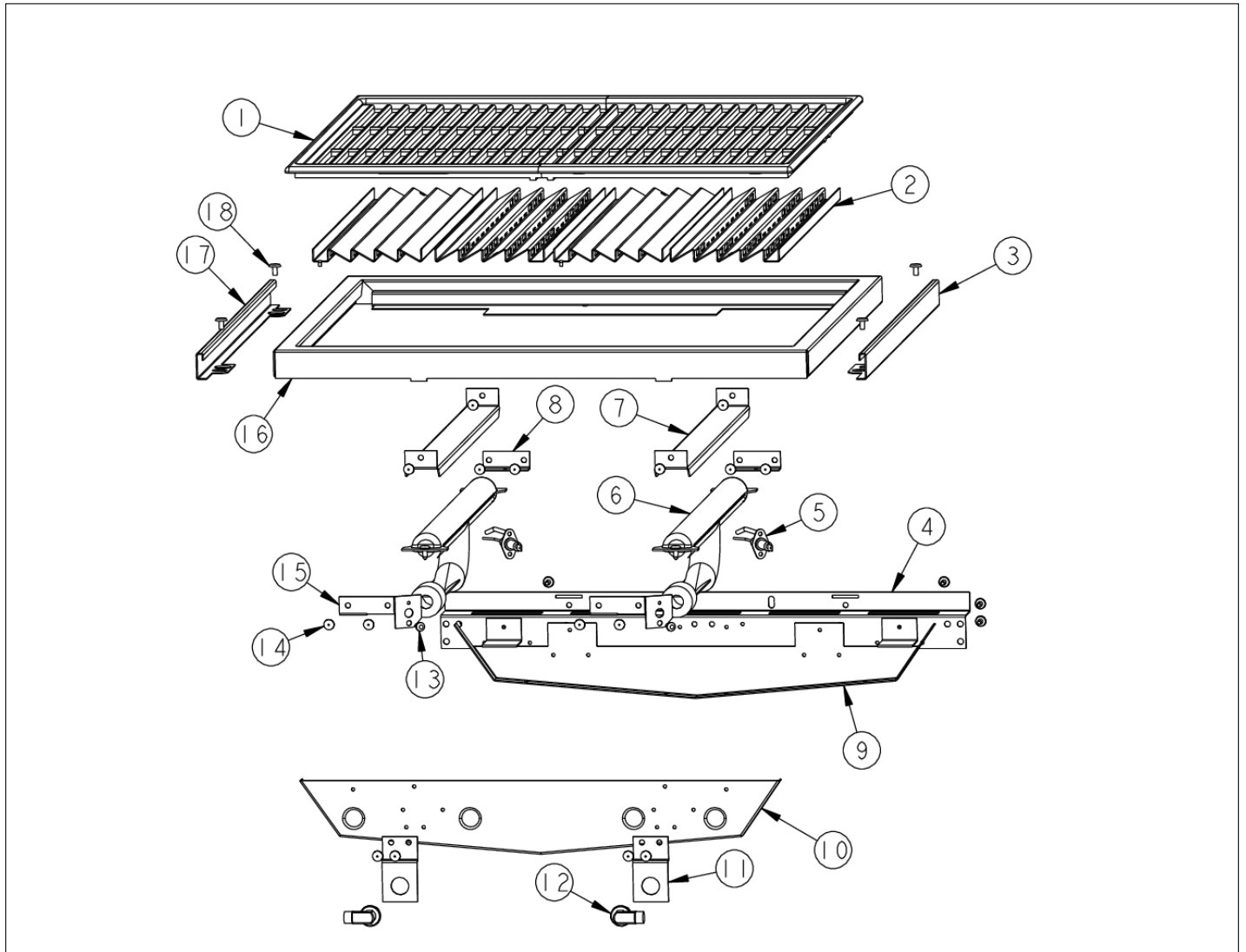






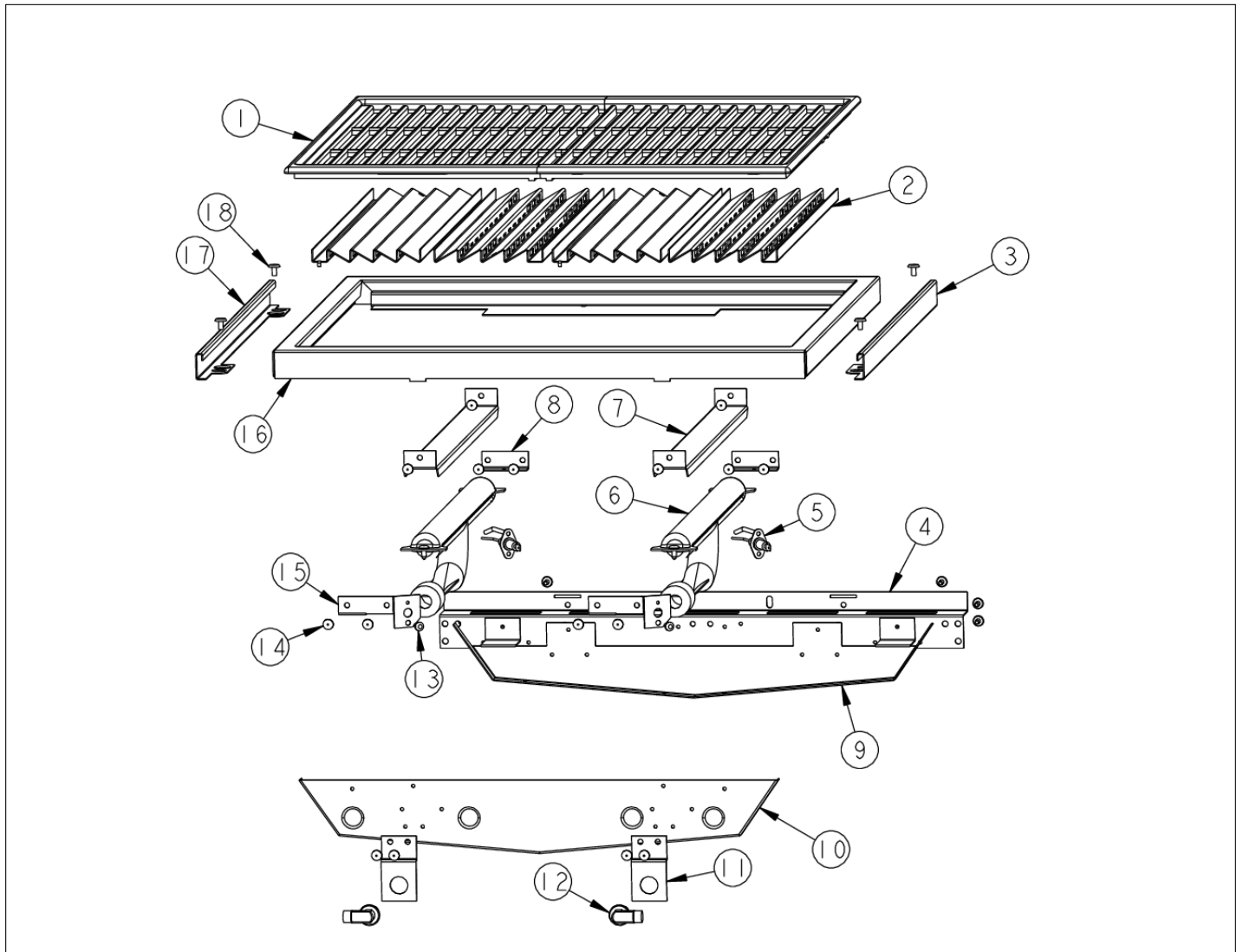
Item	Part No.	Name	Qty	Uom	NOTES
1	002664-000	IGNITOR WIRE, VGQT240 - NLA	1	EA	NO LONGER AVAILABLE

## SURFACE COOKING AREA





Item	Part No.	Name	Qty	Uom	NOTES
1	PA060080	24" GRILL GRATE *BLACK*	1	EA	
2	E9101130BK	GRILL SMOKE GENERATOR	1	EA	
3	B2009771	GRATE SUPPORT TRIM, 24" RANGE TOP RH	1	EA	
NI	C9309771BR	GRATE SUPPORT TRIM, 24" RANGE TOP RH *BR*	1	EA	NO LONGER AVAILABLE, Not available online / Call for pricing and availability
4	A2007672	REAR BURNER SUPPORT, VGIC245	1	EA	
5	PB040160	WOK IGNITER	1	EA	
6	PB050077	GRILL BURNER	1	EA	
7	B2008484	24" GRILL FLAME SHIELD	1	EA	
8	A2008480	24" GRILL REAR BURNER SUPT BRKT	1	EA	
9	A20010490	VGQT BURNER BOX BACK	1	EA	NO LONGER AVAILABLE, Not available online / Call for pricing and availability
10	A20010489	VGQT BURNER BOX FRONT	1	EA	NO LONGER AVAILABLE, Not available online / Call for pricing and availability
11	A2008481	24" GRILL ORIFICE BRACKET	1	EA	
12	PB040190	90 DEGREE ORIFICE FITTING #50 NAT	1	EA	
13	PD020004	10X3/8PH.HD.TYPE 25 REPL PD040125	1	EA	
14	PD020002	10 X 1/2 PH.TR.HD.SMS.	1	EA	
15	A2009781	GRILL BURNER BRACKET	1	EA	
16	G9109751BK	GRATE SUPT ASSY, VGIC245Q	1	EA	
NI	G9109751WH	GRATE SUPT ASSY, VGIC245Q (WH)	1	EA	NO LONGER AVAILABLE
17	B2009770	GRATE SUPPORT TRIM, 24" RANGE TOP LH	1	EA	NO LONGER AVAILABLE
NI	C9309770BR	GRATE SUPPORT TRIM, 24" RANGE TOP LH *BR*	1	EA	NO LONGER AVAILABLE, Not available online / Call for pricing and availability
18	PD020033	SRW-#10-24X1/2"T(23)PH.WFR HD (NKL)	1	EA	





Item	Part No.	Name	Qty	Uom	NOTES
NI	E2009545	FLAVOR GENERATOR SUPT (VGIC245Q)	1	EA	



Appendix A:Pages Index

000837-000 ..... 1  
BURNER BOX INTERIOR ..... 2  
CONTROL AREA ..... 3  
DRIP TRAY ..... 4  
IGNITER WIRE ..... 5  
SURFACE COOKING AREA ..... 6



Appendix B:Parts Index

000573-000	2	C9309770BR	6
000837-000	1	C9309771BR	6
002664-000	5	E2009545	6
003536-000	3	E9101130BK	6
027347-000	1	G30012979	4
050172-000	3	G3009528	4
A1001138	3	G9109751BK	6
A20010487	2	G9109751WH	6
A20010489	6	G9309533PVD	4
A20010490	6	J2101749	4
A20010491	2	PA010012	3
A20010492	2	PA010122	3
A2001911	2	PA010123	3
A2001912	2	PA020058	3
A2007672	6	PA050112	3
A2008480	6	PA060080	6
A2008481	6	PA070003	3
A2009542	2	PB010209	3
A2009781	6	PB040160	6
B2001919	2	PB040190	6
B2001920	2	PB050077	6
B2008483	2	PC040010	2
B2008484	6	PD010003	3
B2009527	4	PD010012	3
B2009770	6	PD020002	2, 3, 6
B2009771	6	PD020004	6
B9209532	3	PD020033	3, 6
C9209532AL	3	PD020067	3
C9209532BK	3	PD020079	4
C9209532BT	3	PD030005	3
C9209532BU	3	PD030006	3
C9209532CB	3	PD040004	4
C9209532EP	3	PD040028	4
C9209532FG	3	PE010142	3
C9209532GG	3	PE010143	3
C9209532LE	3	PE010144	3
C9209532MJ	3	PE010145	3
C9209532SG	3	PE070071	2
C9209532VB	3	PK000007	2
C9209532WH	3	PK000008	2
		PK010153	3